



## LOCINOX

LIVE CHAT  
www.locinox.com

help@locinox.com

BE-HQ: +32 56 77 27 66  
PL-CEE: +48 717 58 21 00

www.locinox.com/serval

## LOCINOX USA

LIVE CHAT  
www.locinoxusa.com

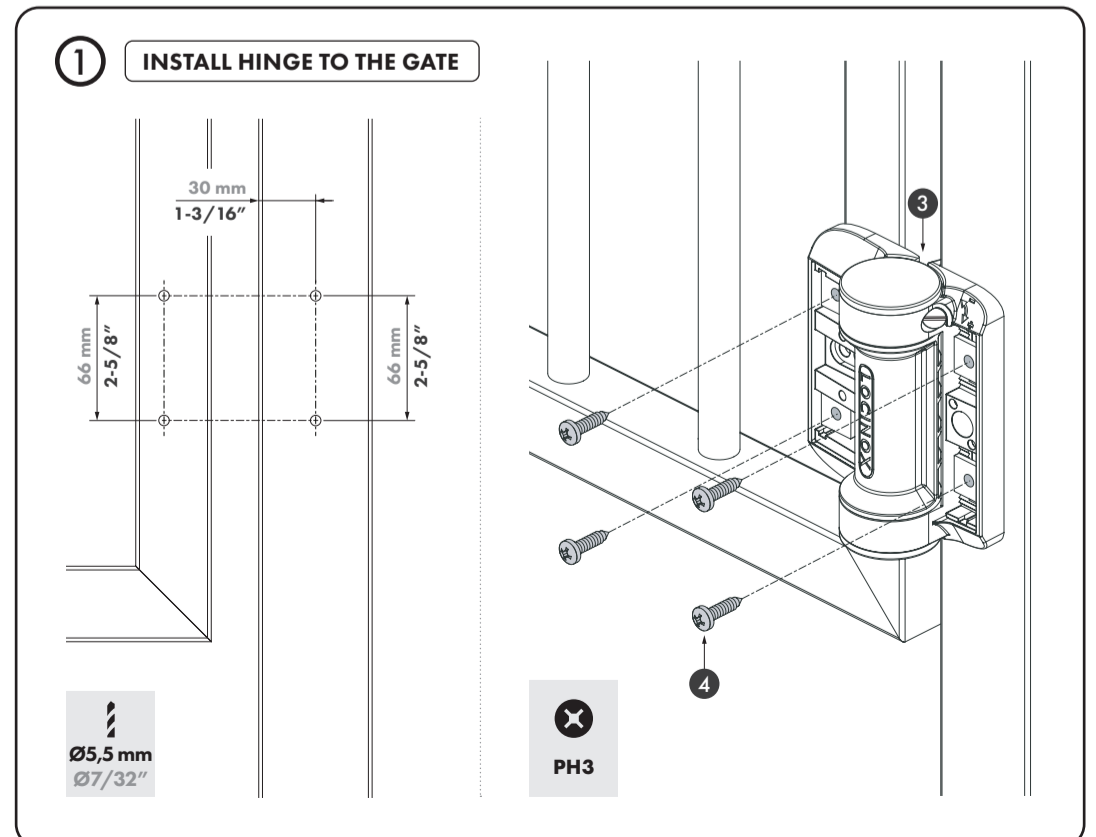
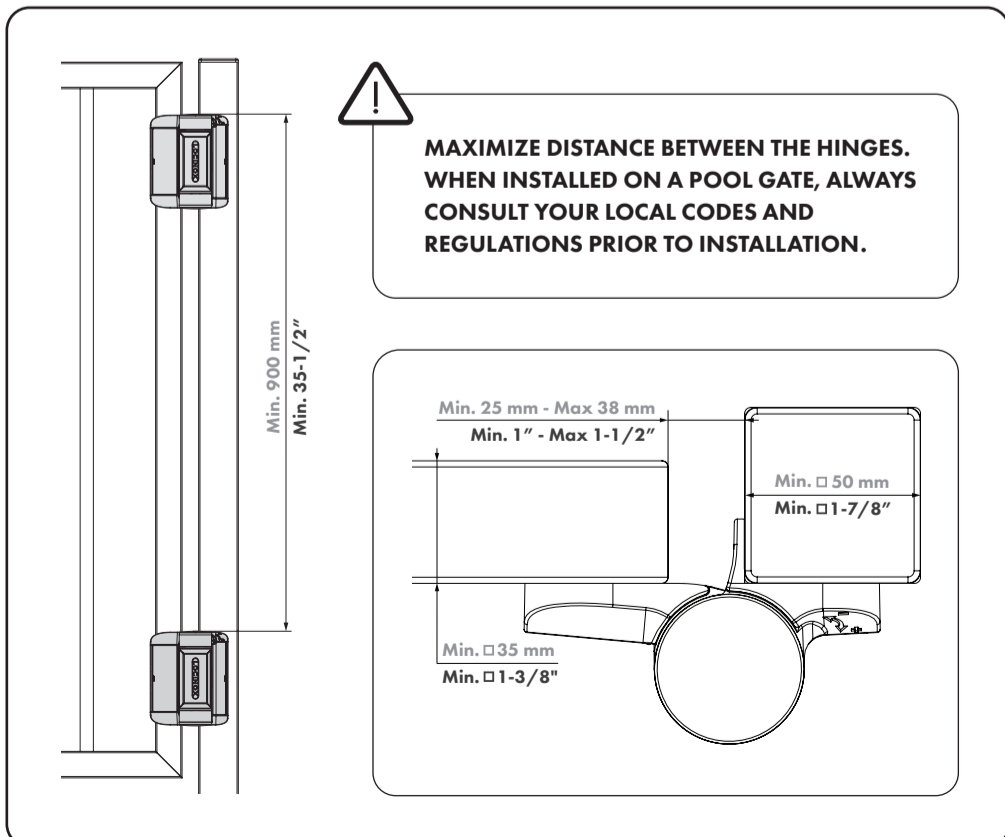
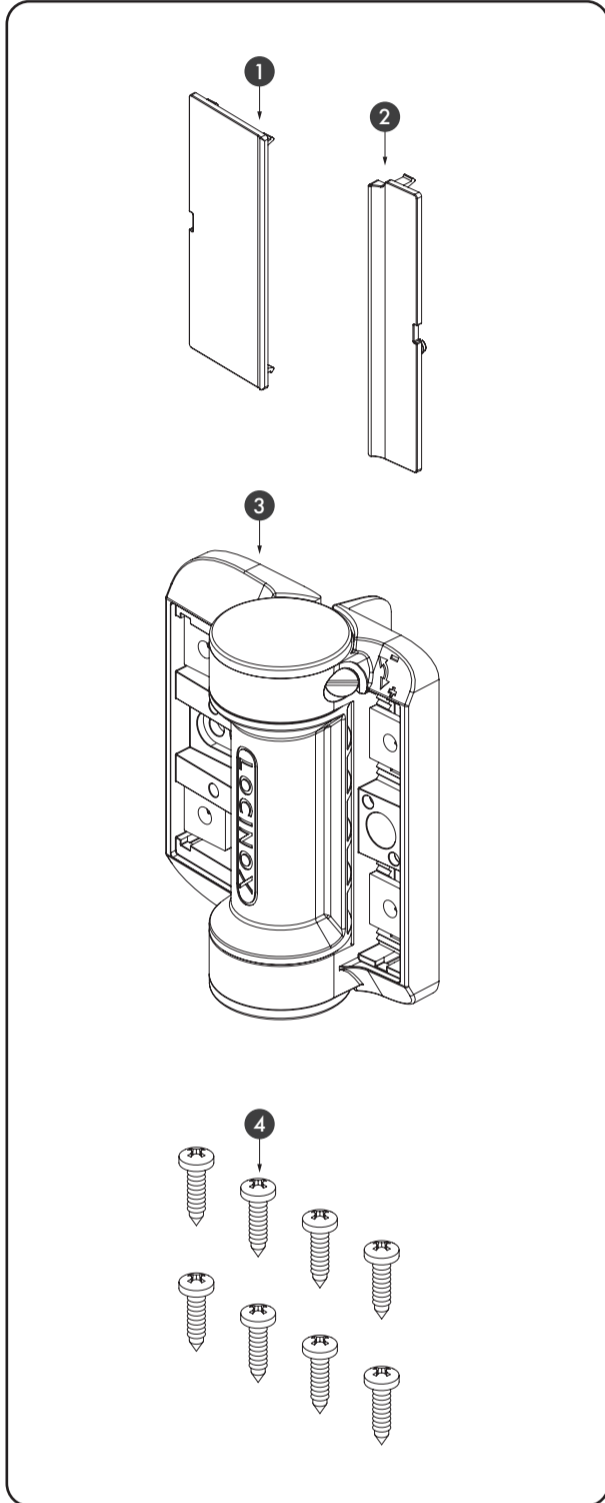
helpusa@locinox.com

877-LOCINOX

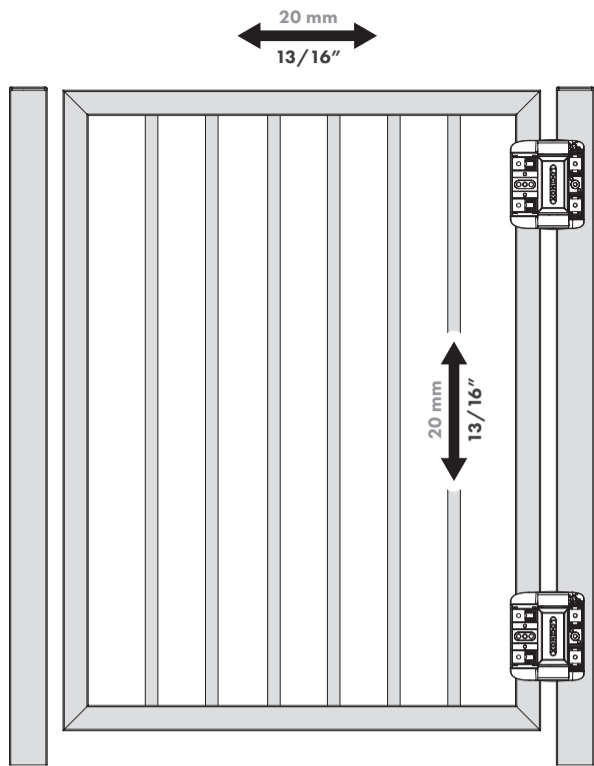
www.locinoxusa.com/serval



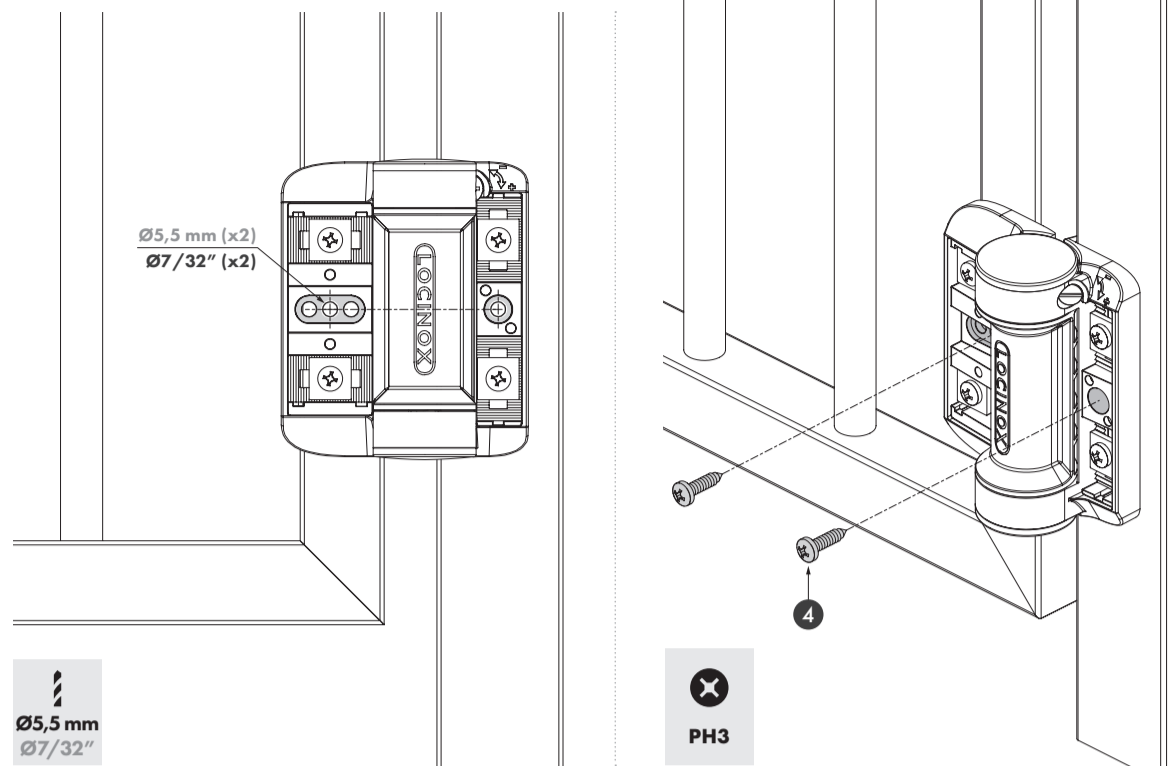
**READ THE  
LIABILITY NOTICE  
CAREFULLY**



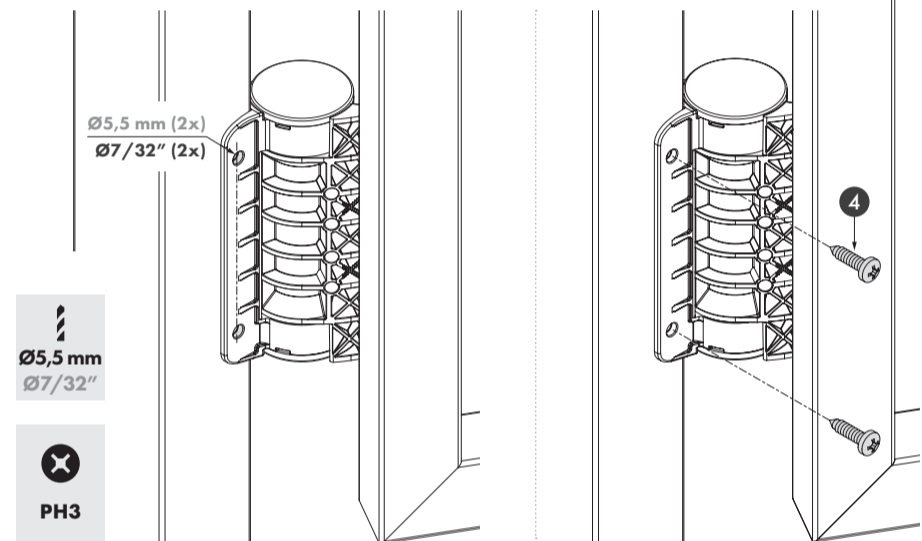
2 ADJUST POSITION OF THE GATE



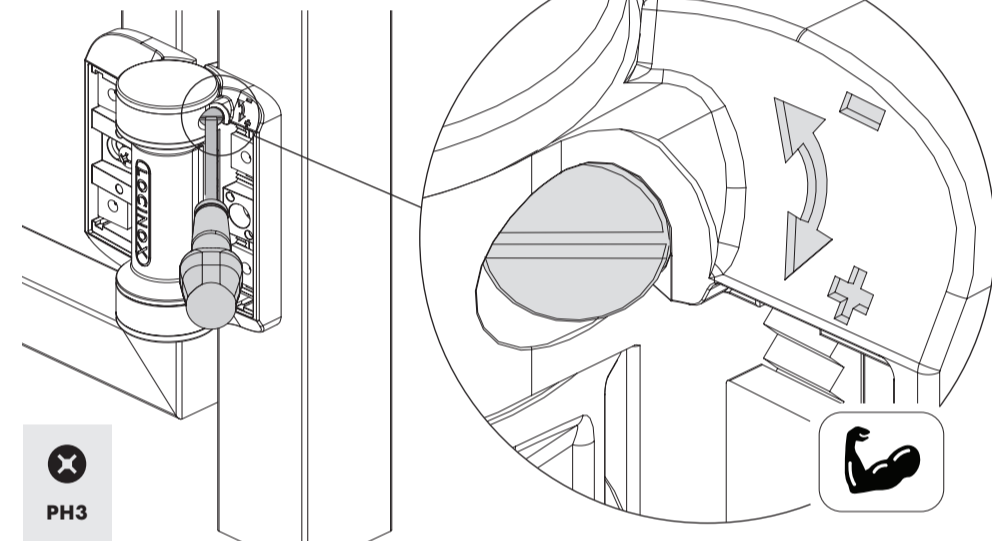
3 ADD 2 ADDITIONAL FIXATIONS IN THE FRONT



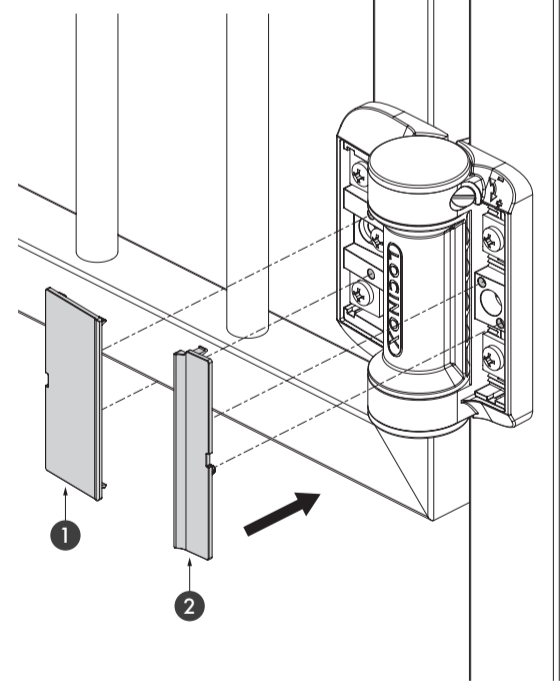
4 ADD 2 ADDITIONAL FIXATIONS ON THE SIDE OF THE FENCE POST



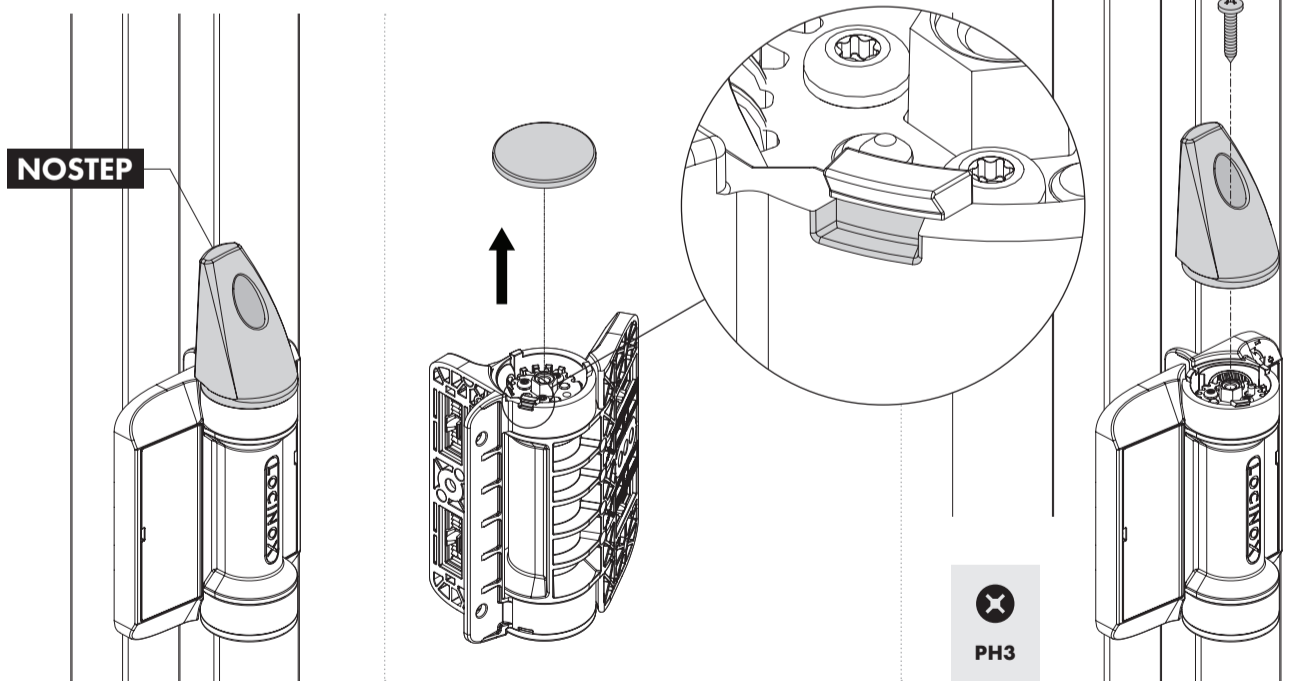
5 ADJUST TENSION FORCE



6 ADD SCREW COVERS



OPTIONAL INSTALLATION: NOSTEP PREVENTS HINGE BEING USED AS A FOOTHOLD



  
pictures@locinox.com

SUCCESSFUL  
INSTALLATION?  
Please send us your  
pictures & videos

INSTALACION  
EXITOSA?  
Por favor envíenos  
sus fotos y videos

SUCCESSFUL  
INSTALLATION?  
Stuur gerust uw foto's  
& video's door

INSTALLATION  
RÉUSSIE?  
Veuillez nous envoyer  
vos photos & vidéos

ERFOLGREICHE  
INSTALLATION?  
Bitte senden Sie uns  
Ihre Bilder & Videos

UDANA  
INSTALACJA?  
Prześlij nam swoje  
zdjęcia i filmy

УСПЕШНАЯ  
УСТАНОВКА?  
Пожалуйста, отправьте нам  
свой фотографии и видео

**LOCINOX**  
Let's make it better together

Doc. Nr.: MANU-000452

Locinox NV • Brabantstraat 107 • 8790 Waregem • Belgium  
Locinox CEE • Irysowa 9 • 55-040 Bielany Wrocławskie • Poland  
Locinox LLC • 460 Windy Point Drive • Glendale Heights - IL 60139 • USA



MANU-000452



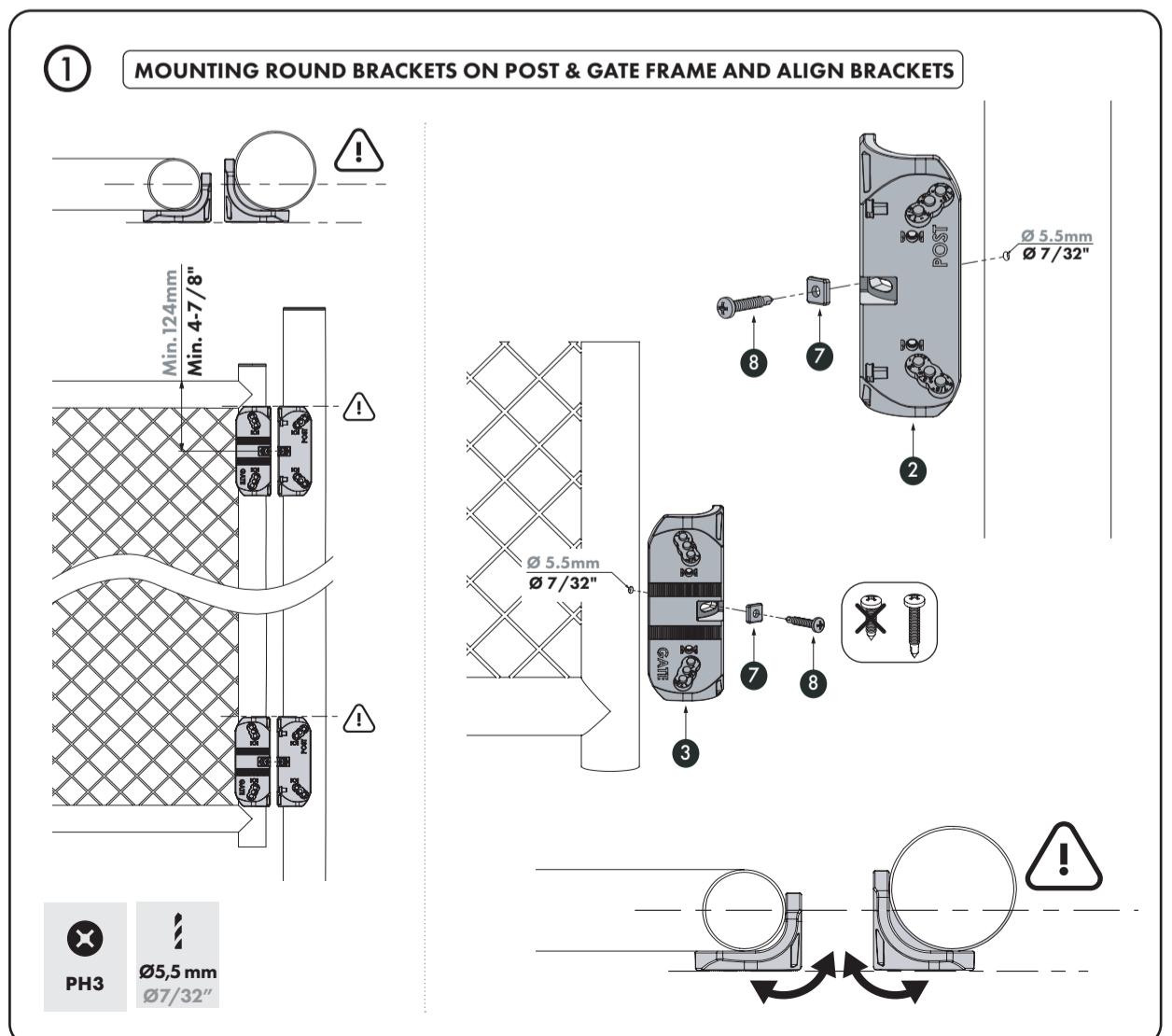
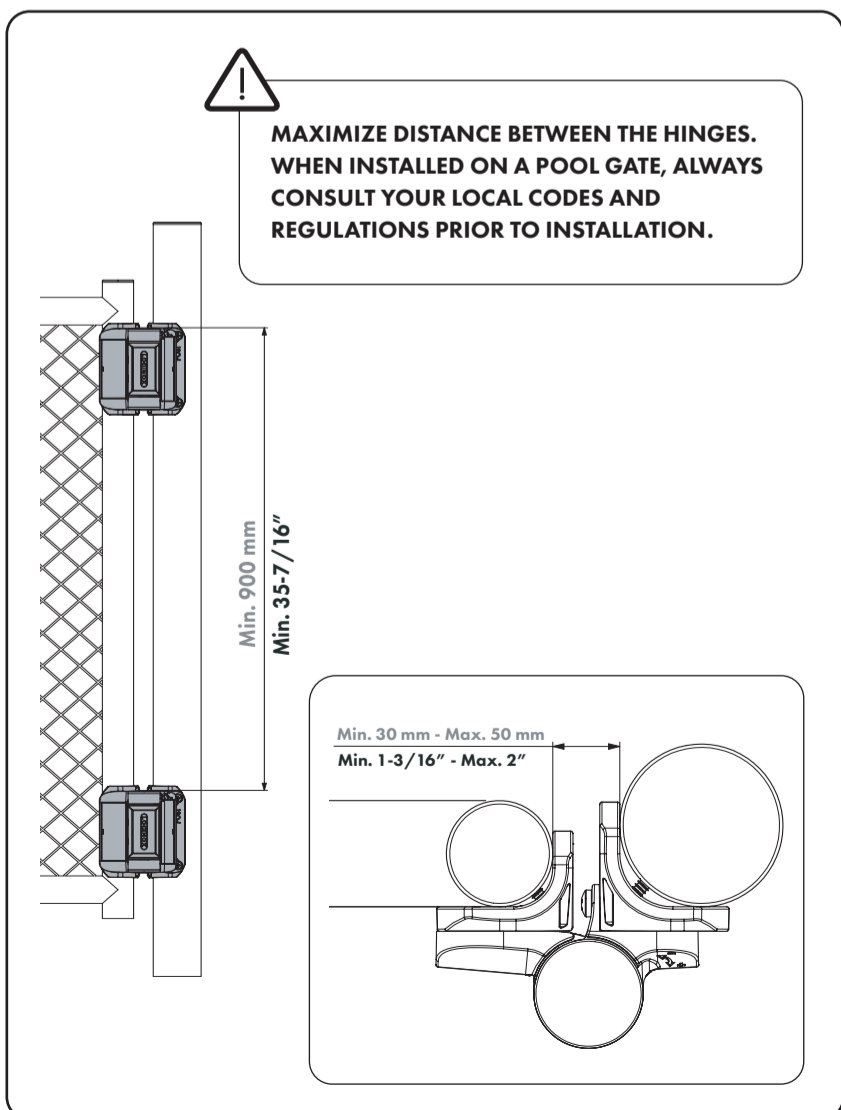
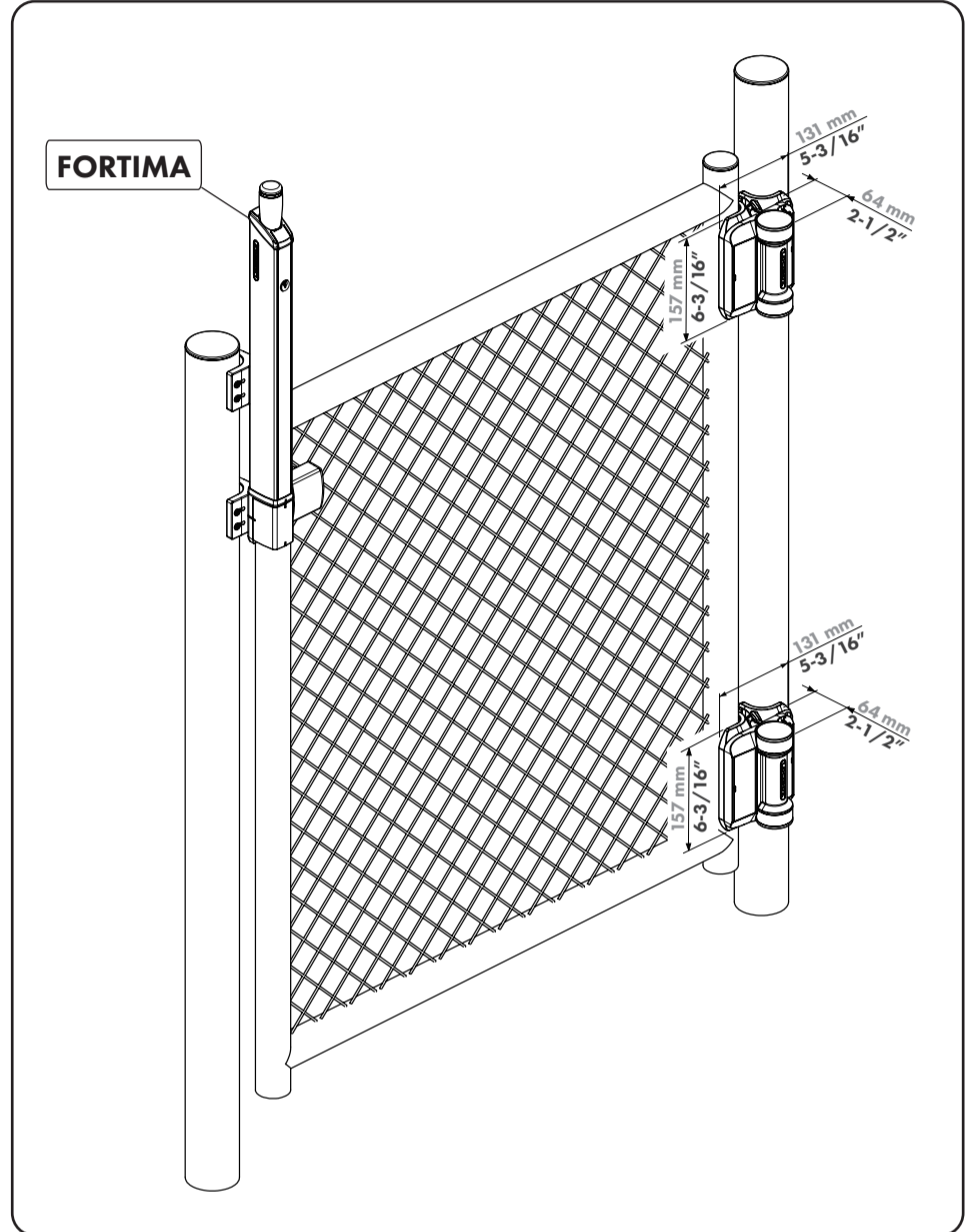
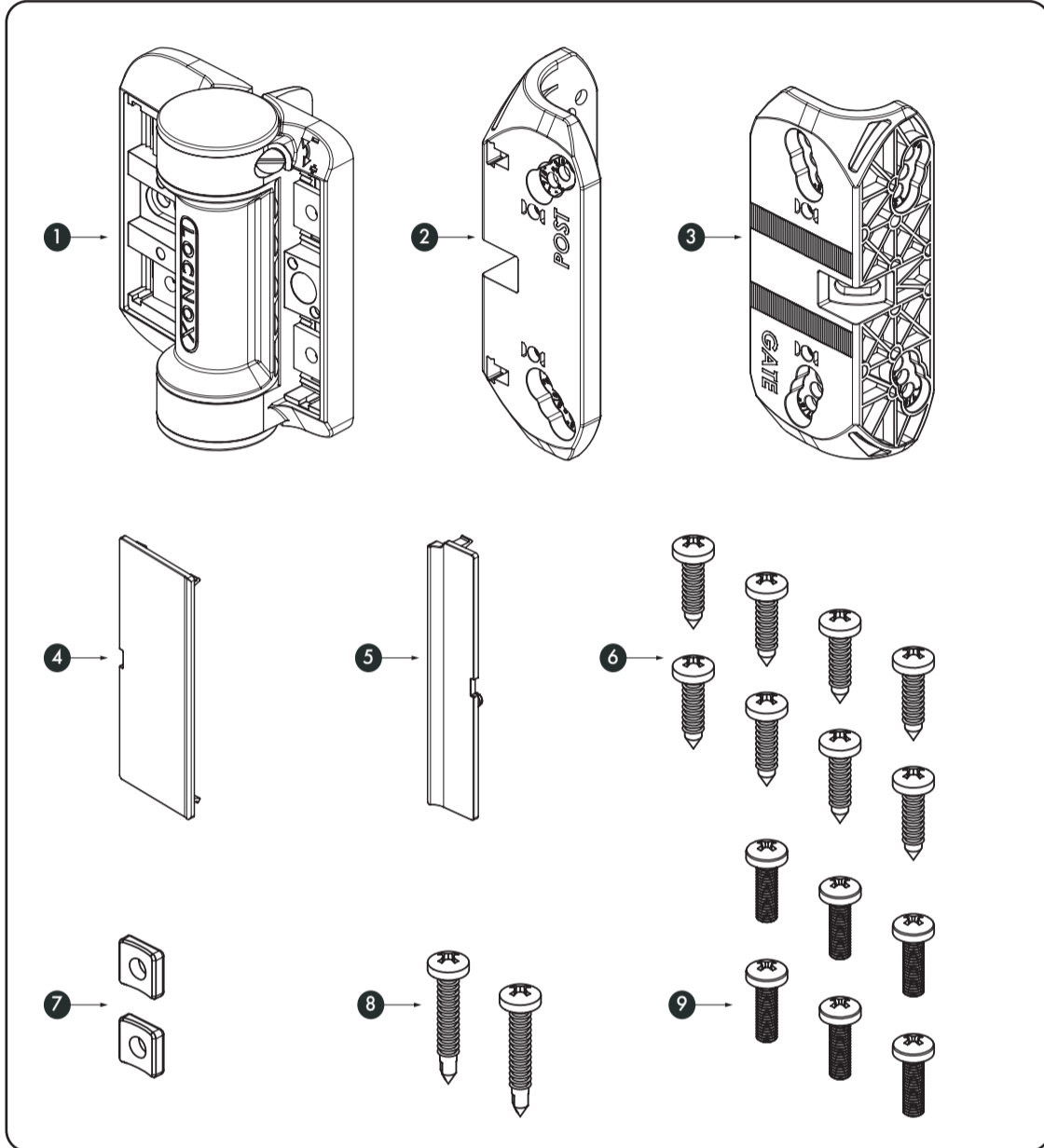
## LOCINOX

## LOCINOX USA

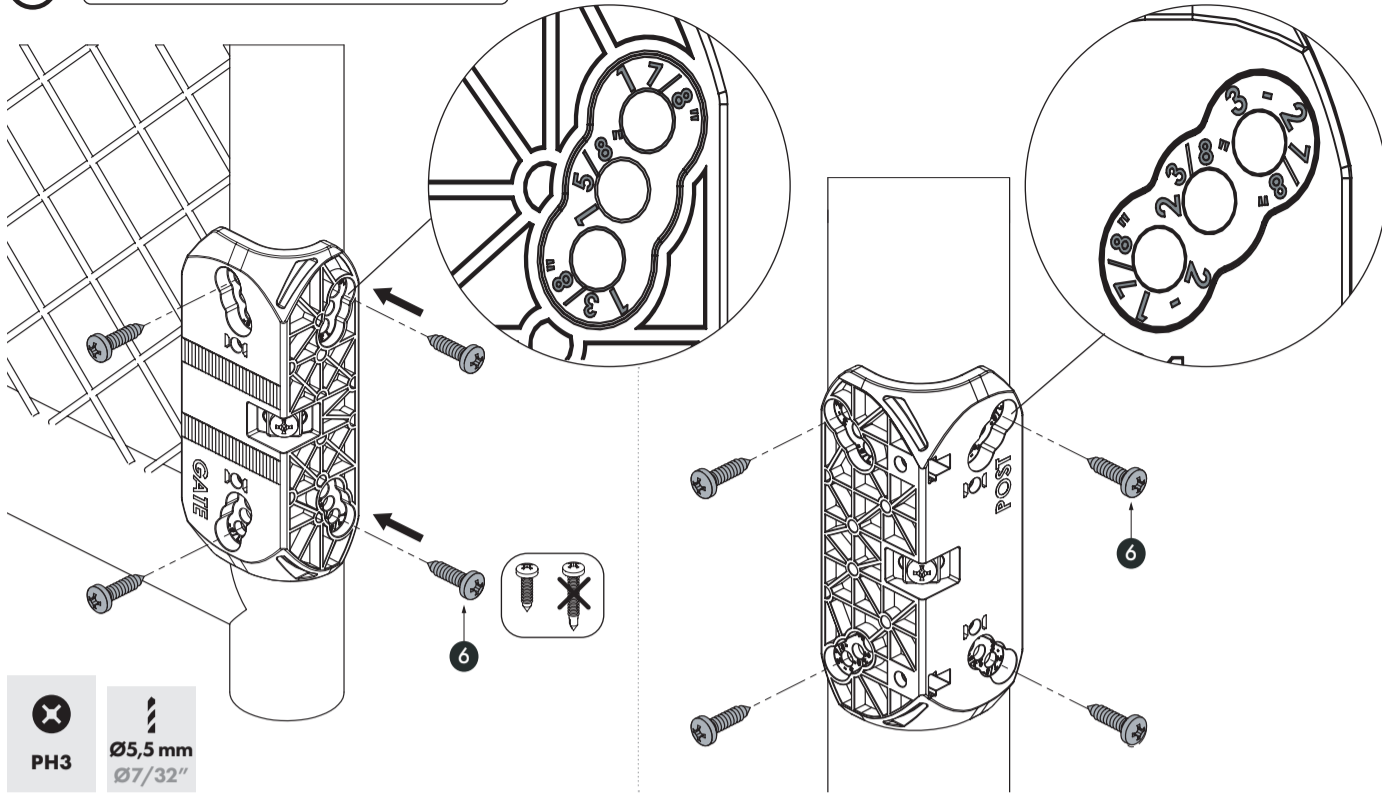
LIVE CHAT  
[www.locinox.com](http://www.locinox.com)  
[help@locinox.com](mailto:help@locinox.com)  
 BE-HQ: +32 56 77 27 66  
 PL-CEE: +48 717 58 21 00  
[www.locinox.com/serval](http://www.locinox.com/serval)

LIVE CHAT  
[www.locinoxusa.com](http://www.locinoxusa.com)  
[helpusa@locinox.com](mailto:helpusa@locinox.com)  
 877- LOCINOX  
[www.locinoxusa.com/serval](http://www.locinoxusa.com/serval)

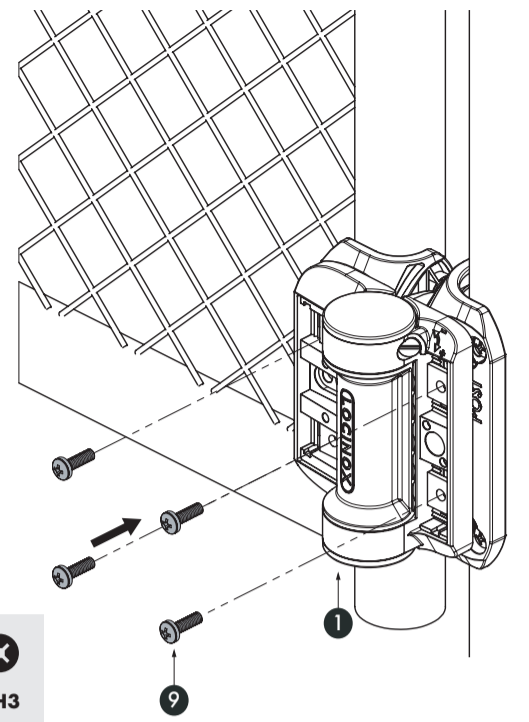
**READ THE LIABILITY NOTICE CAREFULLY**



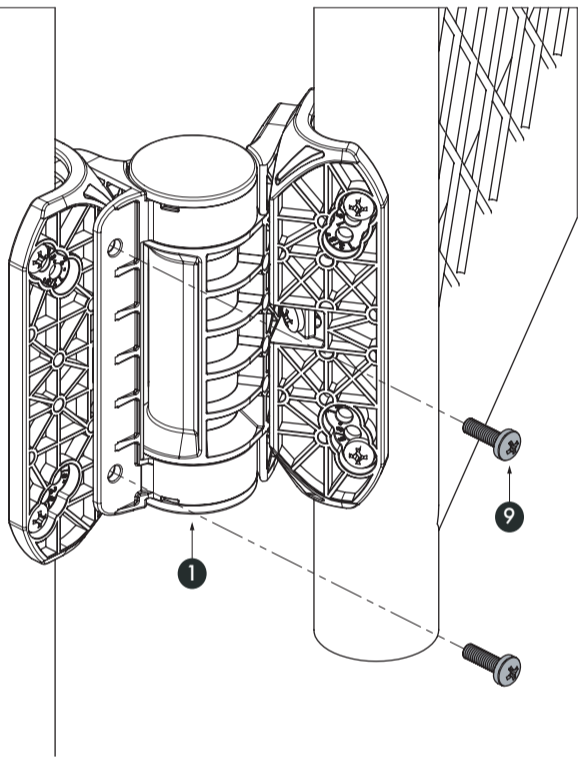
**2** FIX BRACKETS WITH OTHER SCREWS



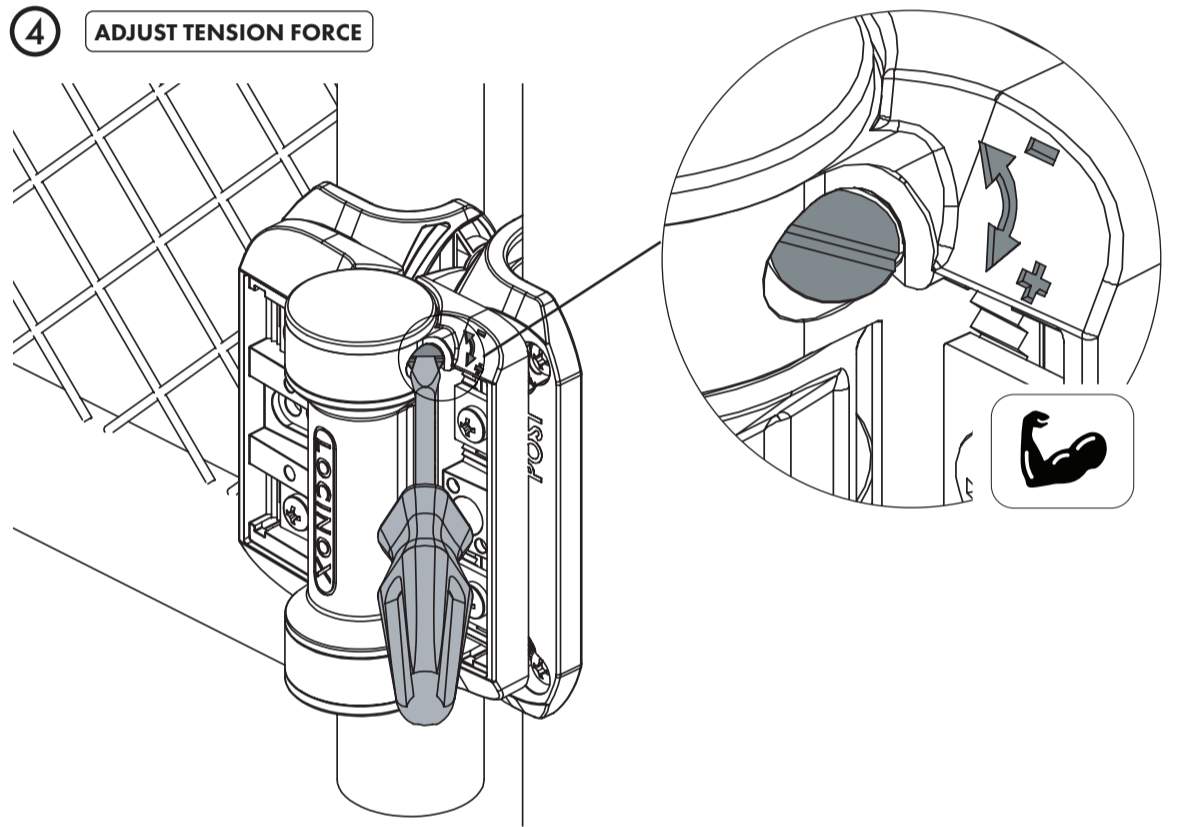
**3** **A** MOUNTING SERVALS



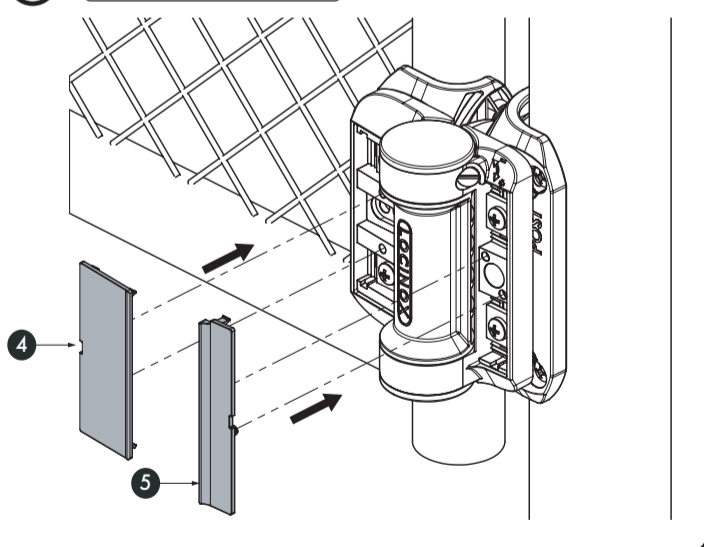
**3** **B**



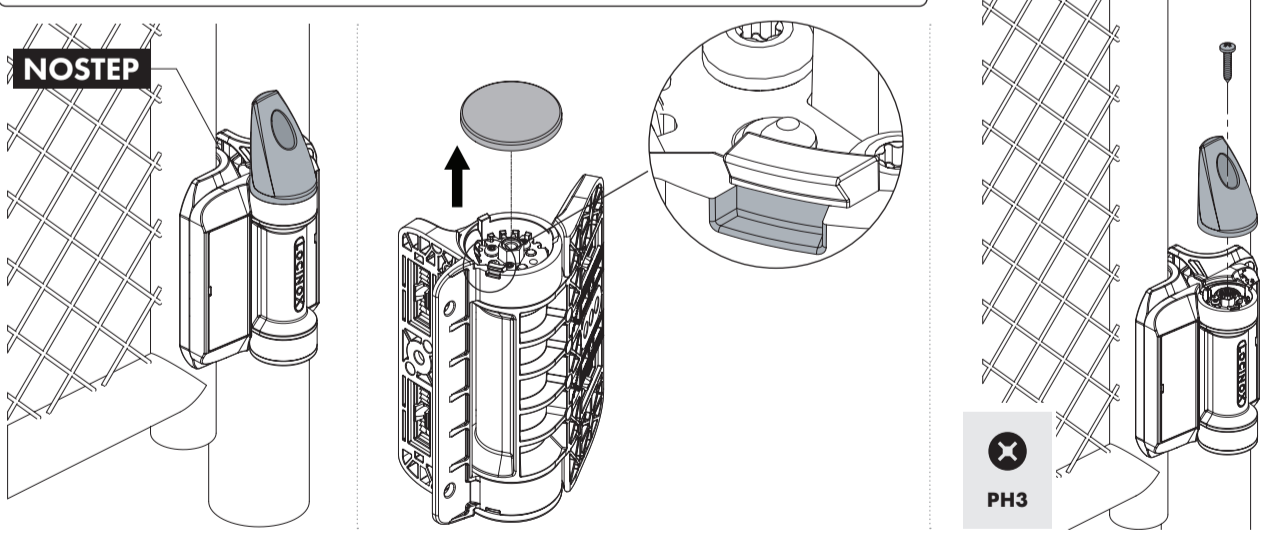
**4** ADJUST TENSION FORCE



**5** ADD SCREW COVERS



OPTIONAL INSTALLATION: NOSTEP PREVENTS HINGE BEING USED AS A FOOTHOLD



**SUCCESSFUL INSTALLATION?**  
Please send us your pictures & videos

**INSTALACION EXITOSA?**  
Por favor envíenos sus fotos y videos

**SUCCESSFUL INSTALLATION?**  
Stuur gerust uw foto's & video's door

**INSTALLATION RÉUSSIE?**  
Veuillez nous envoyer vos photos & vidéos

**ERFOLGREICHE INSTALLATION?**  
Bitte senden Sie uns Ihre Bilder & Videos

**UDANA INSTALACJA?**  
Prześlij nam swoje zdjęcia i filmy

**УСПЕШНАЯ УСТАНОВКА?**  
Пожалуйста, отправьте нам свой фотографии и видео



**Doc. Nr.: MANU-000460**

Locinox NV • Brabantstraat 107 • 8790 Waregem • Belgium  
Locinox CEE • Irysowa 9 • 55-040 Bielany Wrocławskie • Poland  
Locinox LLC • 460 Windy Point Drive • Glendale Heights - IL 60139 • USA



MANU-000460